
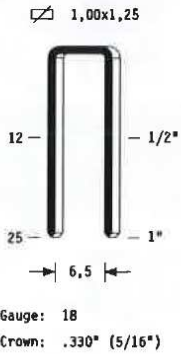




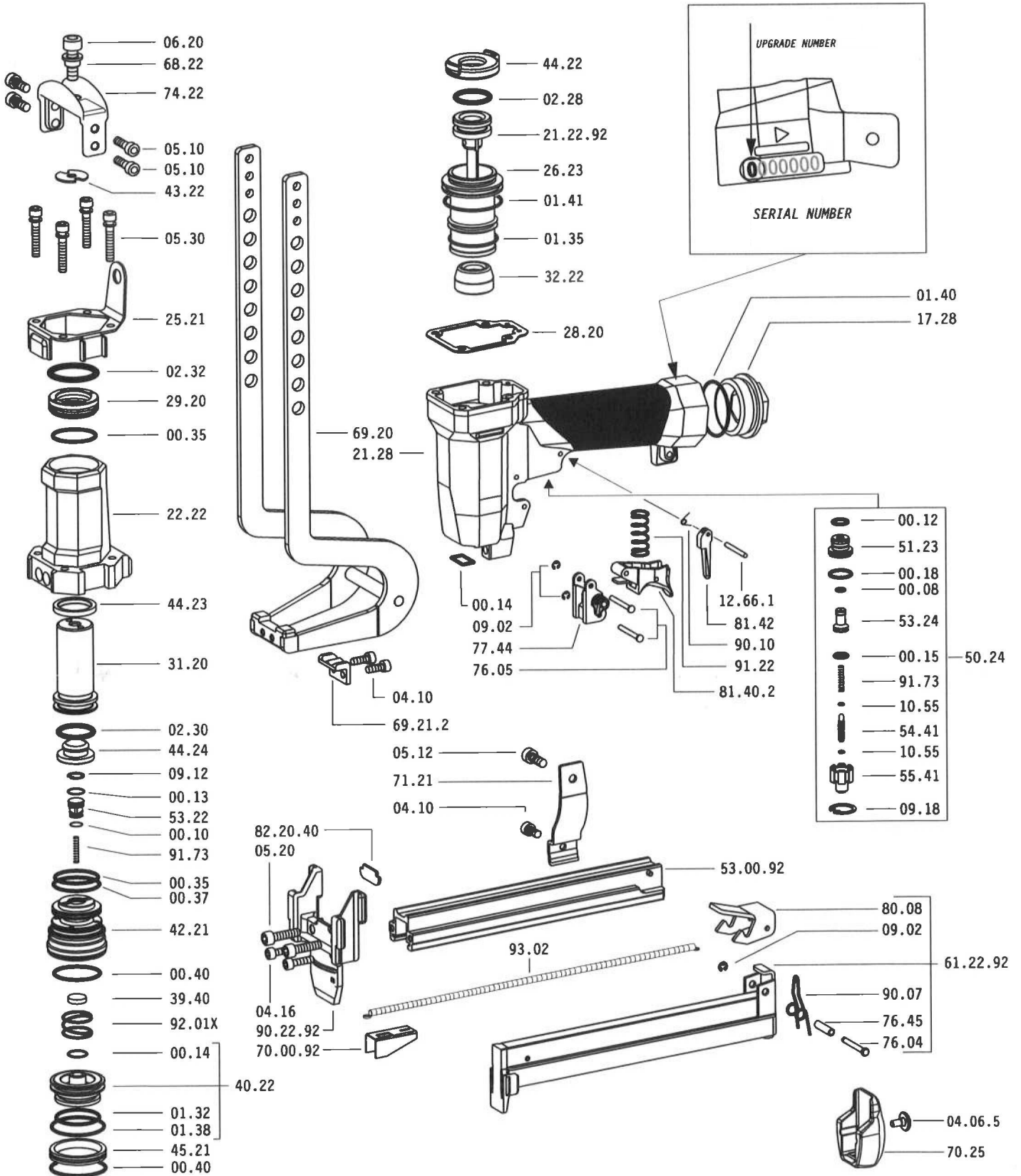
# PL92SJC

## OPERATING & MAINTENANCE MANUAL



<b>TECHNICAL DATA</b>		<b>Cod. 12272010</b>
<b>Usable lengths mm</b>	12 ÷ 25	<b>Stapling Results</b>   <b>Type of Fastener</b> <b>92</b> 
<b>Magazine capacity, no. of fasteners</b>	100	
<b>Working pressure</b>	5 ÷ 6.5 bar 70 ÷ 95 psi	
<b>Air consumption litres/shot</b>	0.25	
<b>Weight kg</b>	1.93	
<b>Dimensions</b>	226x70x310	
<b>Sound pressure at work station</b> EN 12549:1999 ISO 11201:1995	80.1 dB(Ä)	
<b>Emitted sound power</b> EN 12549:1999 ISO 3744:1994	86.9 dB(A)	
<b>Weighted mean value of vibration on the grip</b> EN 28662:1992 ISO 5349:1986 ISO 8662-11	<2.5 m/s <sup>2</sup>	<b>October 2014</b>

# SPARE PARTS

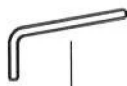


# EQUIPMENTS

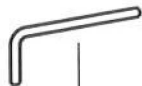
Oct 2014



07.30



07.40



07.50



D01

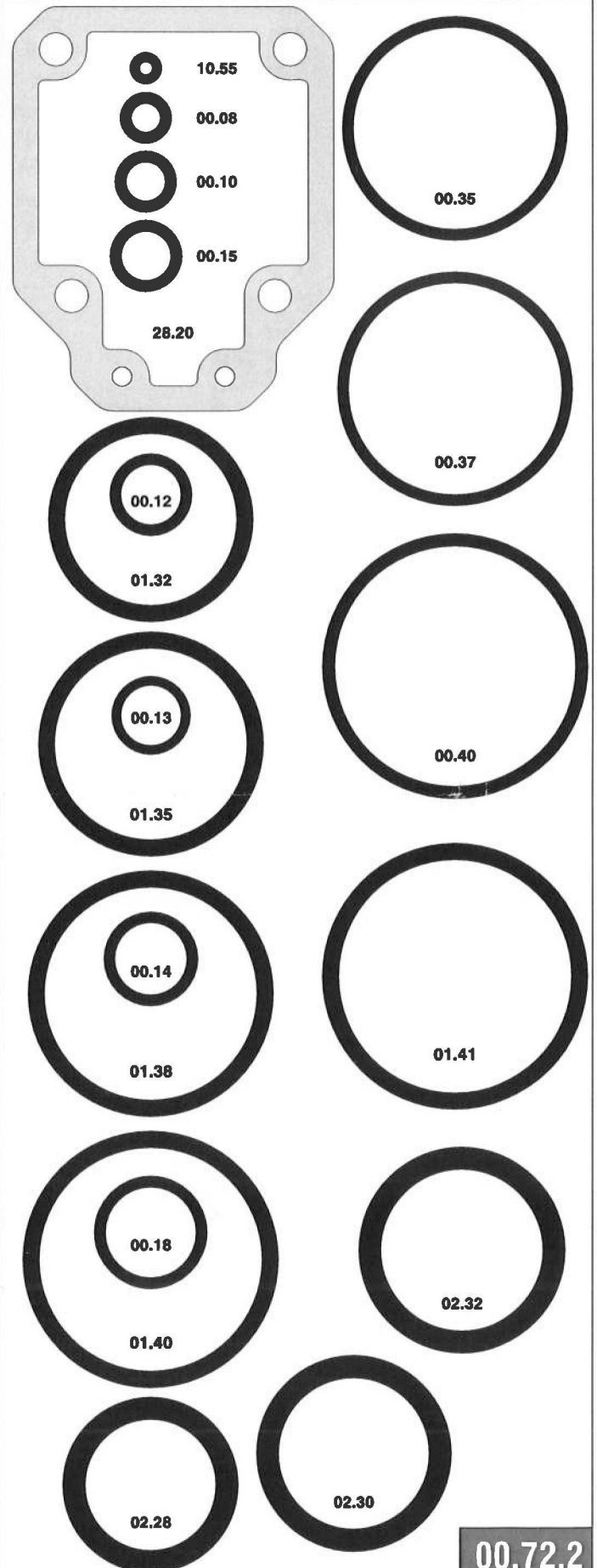
## PL 92 SJC

cod. 12272010

# SPARE PARTS

Cod.	Description
00.08	O-Ring
00.10	O-Ring
00.12	O-Ring
00.13	O-Ring
00.14	O-Ring
00.15	O-Ring
00.18	O-Ring
00.35	O-Ring
00.37	O-Ring
00.40	O-Ring
01.32	O-Ring
01.35	O-Ring
01.38	O-Ring
01.40	O-Ring
01.41	O-Ring
02.28	O-Ring
02.30	O-Ring
02.32	O-Ring
04.06.5	Screw
04.10	Screw
04.16	Screw
05.10	Screw
05.12	Screw
05.20	Screw
05.30	Screw
06.20	Screw
07.30	Hex. bar wrench
07.40	Hex. bar wrench
07.50	Hex. bar wrench
09.02	Elastic ring
09.12	Elastic ring
09.18	Elastic ring
10.55	O-Ring
12.66.1	Pin
17.28	Inlet cap
21.28	Body
22.22	Head
25.21	Exhaust deflector
26.23	Cylinder
28.20	Head gasket
29.20	Bronze ring
31.20	Jaw's piston
32.22	Bumper
39.40	Exhaust seal
40.22	Valve ass'y
42.21	Valve housing
43.22	Washer
44.22	Gasket
44.23	Upper bumper
44.24	Lower bumper
45.21	Ring
50.24	Trigger valve ass'y
51.23	Trigger valve housing
53.22	Valve piston
53.24	Valve piston
54.41	Trigger valve
55.41	Bush
68.22	Pacer
69.20	Jaw kit
69.21.2	Riveter
70.25	Guard
71.21	Support
74.22	Hanger
76.04	Pin
76.05	Pin
76.45	Pin
77.44	Safety guide
80.08	Trigger
81.40.2	Trigger
81.42	Trigger safety
90.07	Spring
90.10	Spring
91.22	Spring
91.73	Spring
92.01X	Spring
93.04	Spring
21.22.92	Driver
53.00.92	Magazine
61.22.92	Slider
70.00.92	Pusher
82.20.40	Nose
90.22.92	Nose plate
D01	Oiler

## O-RINGS



# PL92SJC

Oct 2014